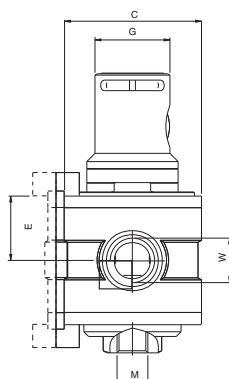
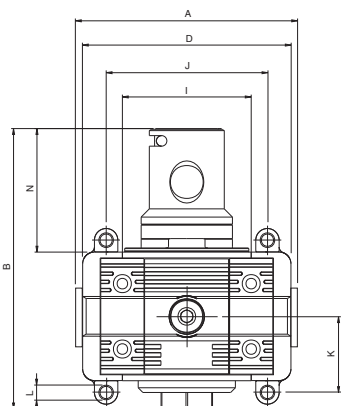
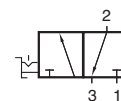


# 3/2-way shutt-off valves



### Main features

3/2-way directional valve, indexed in the two final positions, manual operation, lockable.

### Technical information

Operating pressure in p1: Max. 15 bar at 20° C  
 Operating medium: Compressed air  
 Operating temperature: -10° C ... + 50° C  
 Installation positioning: Vertical  
 Materials: Body and Knob: Technopolymer  
 Gaskets: NBR  
 End parts: Die-cast zinc

	HE-1	HE-2	HE-3
A	72	89	100
B	105,5	119,5	131,5
C	45	59	70
D	76	89	106*
E	21	27,5	32,5
G	32	32	32
I	43	55	65
J	54	69	79
K	17,25	22	27
L	D X M4	D X M5	D X M6
N	52,5	52,5	52,5
W	(1/8")-1/4"-3/8"	(1/4")-3/8"-1/2"	1/2"-3/4"-1"

\*) Variante G1" plus 5 mm

Family	Port Size	Flow rate qnN*	Part Number
1	G 1/4"	1850 l/min	HE-1-1/4
1	G 3/8"	1850 l/min	HE-1-3/8
2	G 3/8"	3000 l/min	HE-2-3/8
2	G 1/2"	3000 l/min	HE-2-1/2
3	G 1/2"	5200 l/min	HE-3-1/2
3	G 3/4"	5200 l/min	HE-3-3/4
3	G 1"	5200 l/min	HE-3-1

\* Measured at p1=10 bar, p2=6 bar, Δp=1 bar according to CETOP RP 50P

